

**Material:**

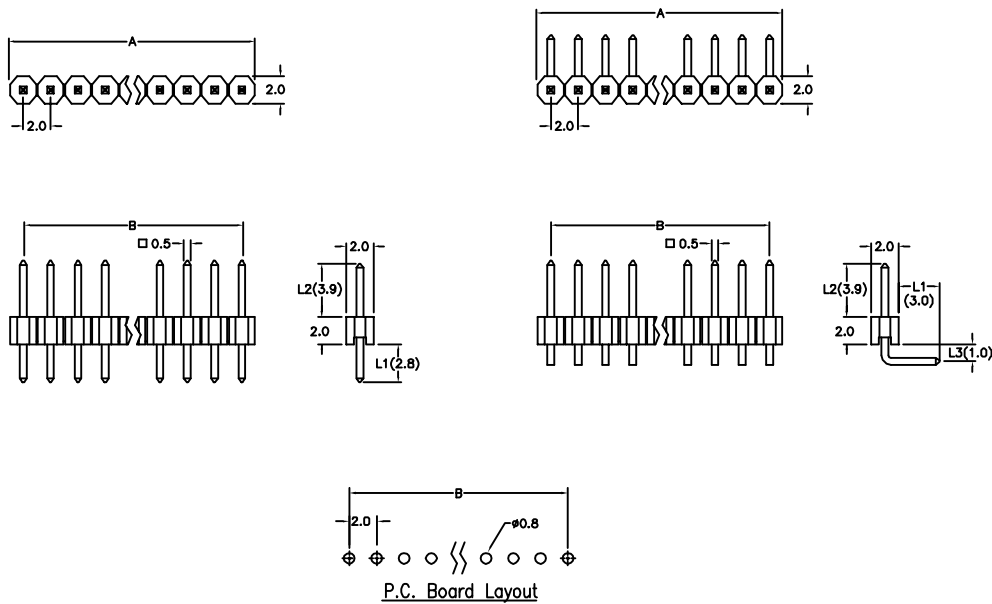
Housing: 30% Glass filled PBT UL94V-0.  
 Contacts: Brass.  
 Plating: Gold plated over nickel.  
 Tin plated over nickel.

**Electrical Characteristics:**

Current Rating: 1 AMP.  
 Insulator Resistance: 5000MΩmin. at DC 500V.  
 Contact Resistance: 20mΩmax. at DC 100mA.  
 Operating Temperature: -55°C ~ +105°C .

**Features:**

- \* Low Profile 2.00mm(0.079").
- \* Available in Straight and Right angle.
- \* Side-to-side and end-to-end stackable.
- \* Custom design provides wide products flexibility.



|           |                             |
|-----------|-----------------------------|
| Position  | 2 Thru 40                   |
| Dimension |                             |
| A         | 2.0 X No. of Positions      |
| B         | 2.0 X No. of Positions -2.0 |

**Ordering information**

PH12- 1      40      1      1  
 Series Single Row No. of Pin Per Row 1: Gold Plated 1: Straight  
 2: Tin Plated 2: Right Angle

Custom Design: Straight (i.e. PH12-14011/L1 /L2)  
 Right Angle (i.e. PH12-14012/L1 /L2 /L3)